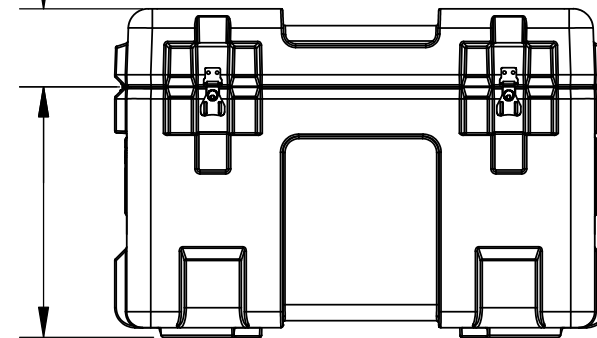
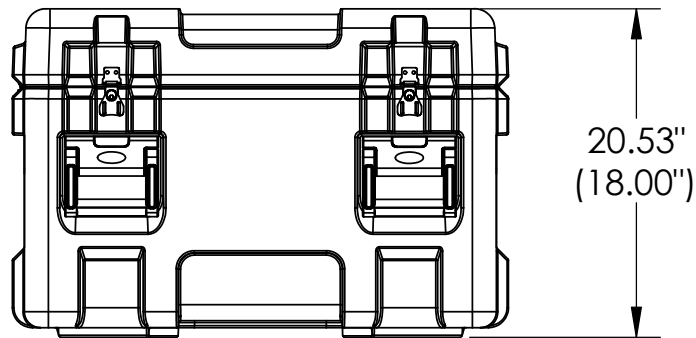


4.88"
(3.63")



3R2727-18



434 West Levers Place
Orange, CA 92867
Phone: (714) 637-1252
Fax: (714) 637-0491
<http://www.skbcases.com>

This drawing and all information details are the sole property of SKB Corporation, Orange CA. Any unauthorized use will be punished to the full extent of the law.

Case Series: Mil - Standard

Case part#: 3R2727-18

Weight: 37.4 LBS EMPTY

Dimensions (for reference only)

	Dimensions (for reference only)			
	Length left to right	Width front to back	Overall height	Base / Lid height
Exterior	31.00"	30.75"	20.53"	15.65"-4.88"
Interior	27.00"	27.00"	18.00"	14.37"-3.63"

NOTE: DIMENSIONS IN (X.XX") ARE ID

5

4

3

2

1